

# PHOTOGRAPHY

## DEPARTMENT 570

If you haven't picked up your exhibitor tags before receiving day you can pick them up in Building E when you bring in your entries.

### ENTRIES:

- **Entry Forms Accepted through Saturday, August 3, 2024 by 5 PM**
- **NO ENTRY FEES: SWEEPSTAKE AWARDS ONLY**
- Exhibits to fair on Friday, August 16, 2024 between 4-7 PM or Saturday, August 17, 2024, between 1 – 5 PM.
- Exhibits picked up on Monday September 2, 2024, from 6:30-7:30 PM or Tuesday September 3, 2024, from 8 am-12 Noon

### RULES AND INFORMATION:

- **LIMIT OF 15 ENTRIES PER EXHIBITOR. NO MORE THEN 10 SNAP SHOT ENTRIES.**
- **PROFESSIONAL NOT ALLOWED TO ENTER INTO SNAP SHOTS.**
- Limited to residents of Mariposa County and Eastern Madera County (east of Madera Canal).
- Judging will be closed.
- Photographs shall have been taken within 12 months preceding the fair and must not have been previously exhibited at Mariposa County Fair.
- For exhibit purposes, enlargements and snapshots are considered separate entries and maximum number allowed apply to each as a separate entity.
- **IN THE EVENT THAT THE MAXIMUM NUMBER OF PHOTOS TO BE DISPLAYED IS EXCEEDED, ONLY PLACING PHOTOS WILL BE DISPLAYED.**
- **NO DATES ON ENLARGEMENTS.**
- Exhibitor may not write on the exhibit tag provided by the fair or on the front of the picture or mounting board.
- Exhibitors may show above present level but cannot return to former status. May exhibit in only one entry level per year.
- All photography is displayed at the discretion of the Fair Manager.
- **DEFINITION OF ENTRY LEVELS:**
  - **Novice/Intermediate:** Exhibitors who have been exhibiting in this division for one to three years. If won a Best of Show, must exhibit in advanced.
  - **Advanced:** Exhibitors who have been exhibiting in this division for four or more years.
  - **Professional:** Those who have sold any photography or had prior sales of photography. May not show in any other Entry Level.

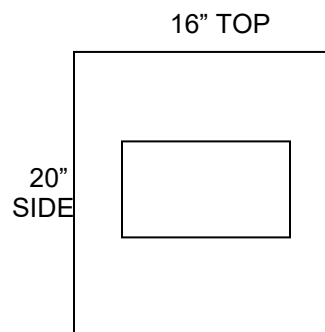
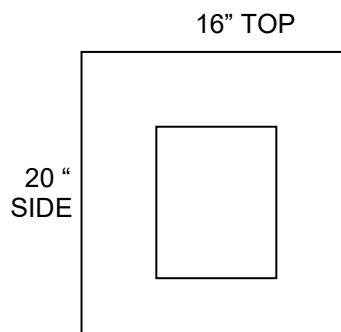
### AWARDS:

- Judging: American System of Judging
- Sweepstake Awards: \$20~15~10
- Special Award for 1<sup>st</sup> – 3<sup>rd</sup> Place for 8" x 10" Enlargement of Old Wooden Barns – Cash Award Sponsored by AMJ Cattle Ranch

### ENLARGEMENTS

LIMIT: MAXIMUM OF 15 PER EXHIBITOR.

- Enlargements must contain a minimum of 7" x 9" (63 square inches) to a maximum of 11" x 17" (187 square inches) of picture mounted on a standard white mounting board. NO MATT BOARD.
- **NO BORDERS ON ENLARGEMENTS OR PRINTS, INCLUDING BLACK & WHITE**
- For display purposes, mounting board must measure 20" tall by 16" wide. Tall is vertical; wide is horizontal. ***Mounting board must be 1/16-inch thickness.*** Boards are available to purchase in the Fairgrounds Office.
- One picture per mounting board, securely fixed. No double boards.
- No Frontal Nudity will be allowed.
- No dates on prints



## **NOVICE/INTERMEDIATE-CLASS A**

<b><u>LOT</u></b>	<b><u>DESCRIPTION</u></b>
<b>BW/COLOR ENLRG</b>	
1	Action/Photo Journalism
2	Animals
3	Architecture, historical
4	Birds or Fowl
5	Children
6	Flowers
7	Humor
8	Insects or Reptiles
9	Landscape, natural
10	Landscape, city, and or Town
11	People
12	Plant Life/Natural Environment, (NO Flowers)
13	Seascape/Marine Life
14	Special Occasion,
15	Still Life
16	Sunrise, Sunset, Clouds
17	Yosemite
18	Fair Theme: "Kids, Cows and Plows"
19	Any Other

## **ADVANCED-CLASS B**

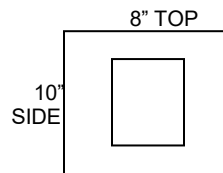
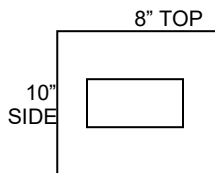
20	Action/Photo Journalism
21	Animals
22	Architecture, historical
23	Birds or Fowl
24	Children
25	Flowers
26	Humor
27	Insects or Reptiles
28	Landscape, natural
29	Landscape, City, and or Town
30	People
31	Plant Life/Natural Environment, (NO Flowers)
32	Seascape/Marine Life
33	Special Occasion
34	Still Life
35	Sunrise, Sunset, Clouds
36	Yosemite
37	Fair Theme: "Kids, Cows and Plows"
38	Any Other

## PROFESSIONAL-CLASS C

39	Action/Photo Journalism
40	Animals
41	Architecture, historical
42	Birds or Fowl
43	Children
44	Flowers
45	Humor
46	Insects or Reptiles
47	Landscape, natural
48	Landscape, city, and or Town
49	People
50	Plant Life/Natural Environment, (NO Flowers)
51	Seascape/Marine Life
52	Special Occasion
53	Still Life
54	Sunrise, Sunset, Clouds
55	Yosemite
56	Fair Theme: "Kids, Cows and Plows"
57	Any Other

## SNAPSHOTS-CLASS D LIMIT OF 10 ENTRIES ONLY

Snapshots must contain a minimum of 4" x 6" (24 square inches) to a maximum of 5" x 7" (35 square inches) of photo. Individual snapshots are to be mounted on white mounting board which measures 10" tall by 8" wide. Tall is vertical; wide is horizontal. Mounting Board must be 1/16-inch thickness only!  
One picture per mounting board, no double boards.  
No dates on snapshots



<b>Lot</b>	58	Action/Photo Journalism
	59	Animals
	60	Architecture, historical
	61	Birds or Fowl
	62	Children
	63	Flowers
	64	Humor
	65	Insects or Reptiles
	66	Landscape, natural
	67	Landscape, city, and or Town
	68	People
	69	Plant Life/Natural Environment, (NO Flowers)
	70	Seascape/Marine Life
	71	Special Occasion
	72	Still Life
	73	Sunrise, Sunset, Clouds
	74	Yosemite
	75	Fair Theme: "Kids, Cows and Plows"
	76	Any Other,
	77	Picture from Game Camera

**CANVAS PRINTS – CLASS E**

**Limit of 5 entries**

**Lot**      78                      Canvas Prints                      The canvas must be wrapped on wooden frame  
Minimum Size 8 x 10  
Maximum Size 11 x 14

**OLD WOODEN BARNS ENLARGEMENTS – CLASS F**

Special Cash Award 1<sup>st</sup> through 3<sup>rd</sup> Place    Sponsored by AMJ Cattle Ranch

Enlargements must contain a minimum of 7" x 9" (63 square inches) to a maximum of 11" x 17" (187 square inches) of picture mounted on a standard white mounting board.

**Lot**      79                      All Levels